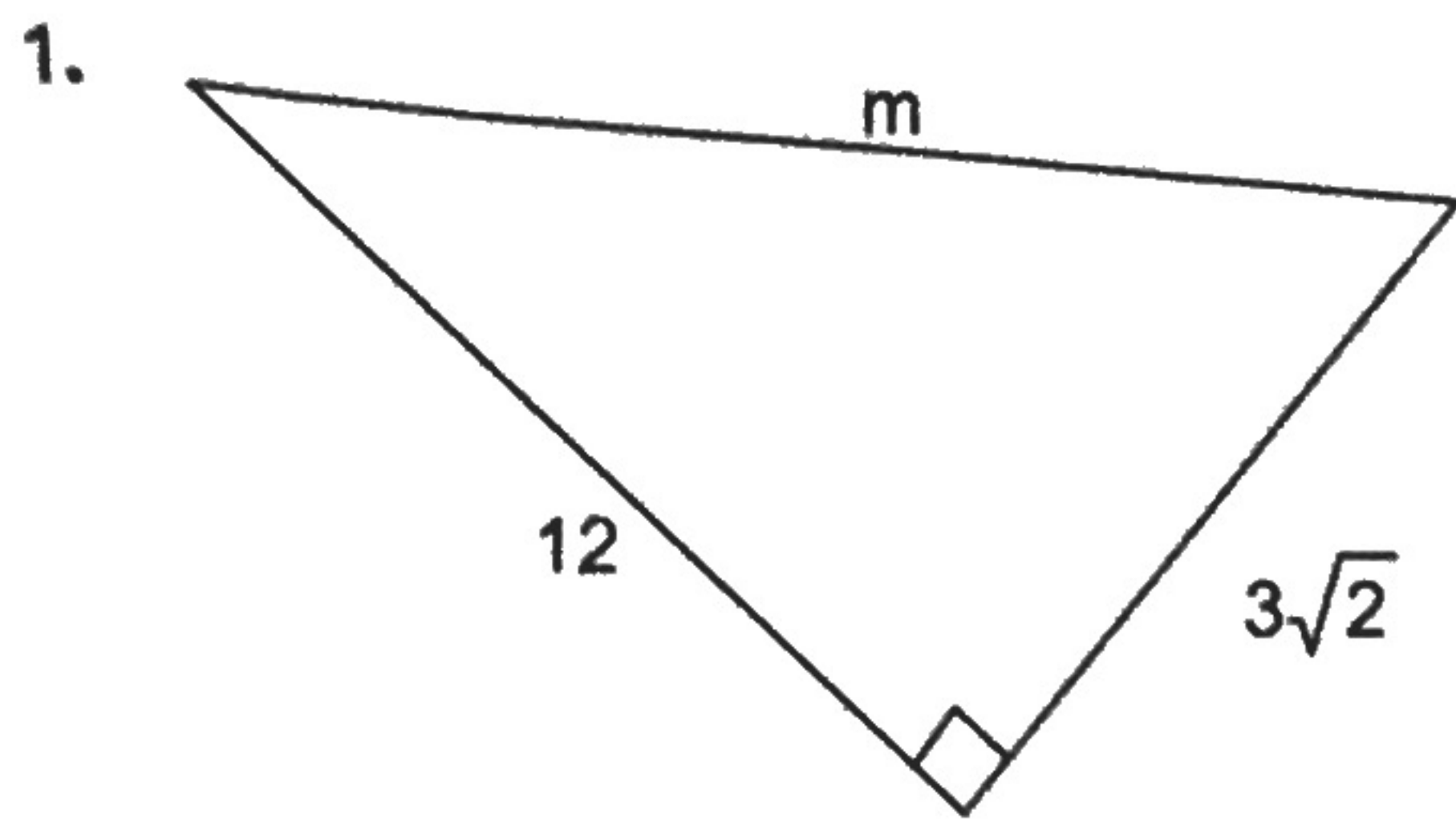


Name: Blank-Practice Quiz Per: _____ Date: _____
 Serafino • Geometry

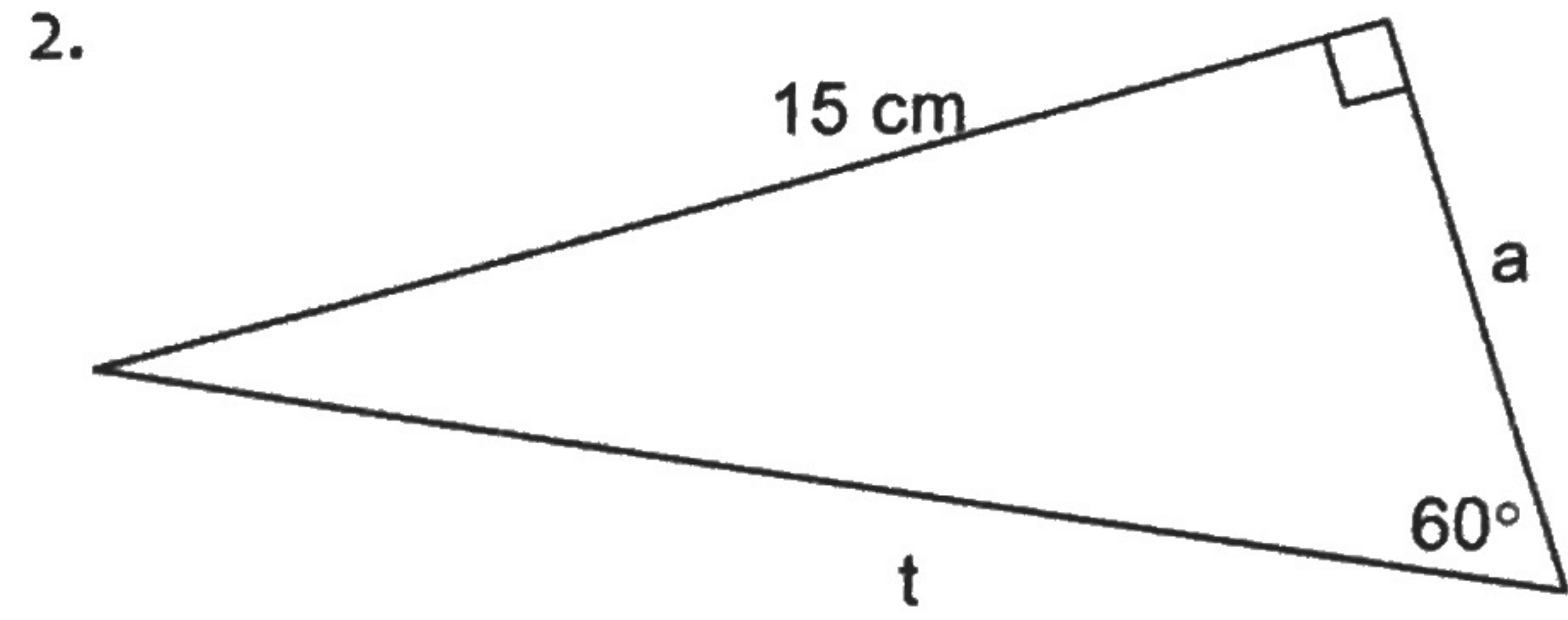


PT, SRT & Trig

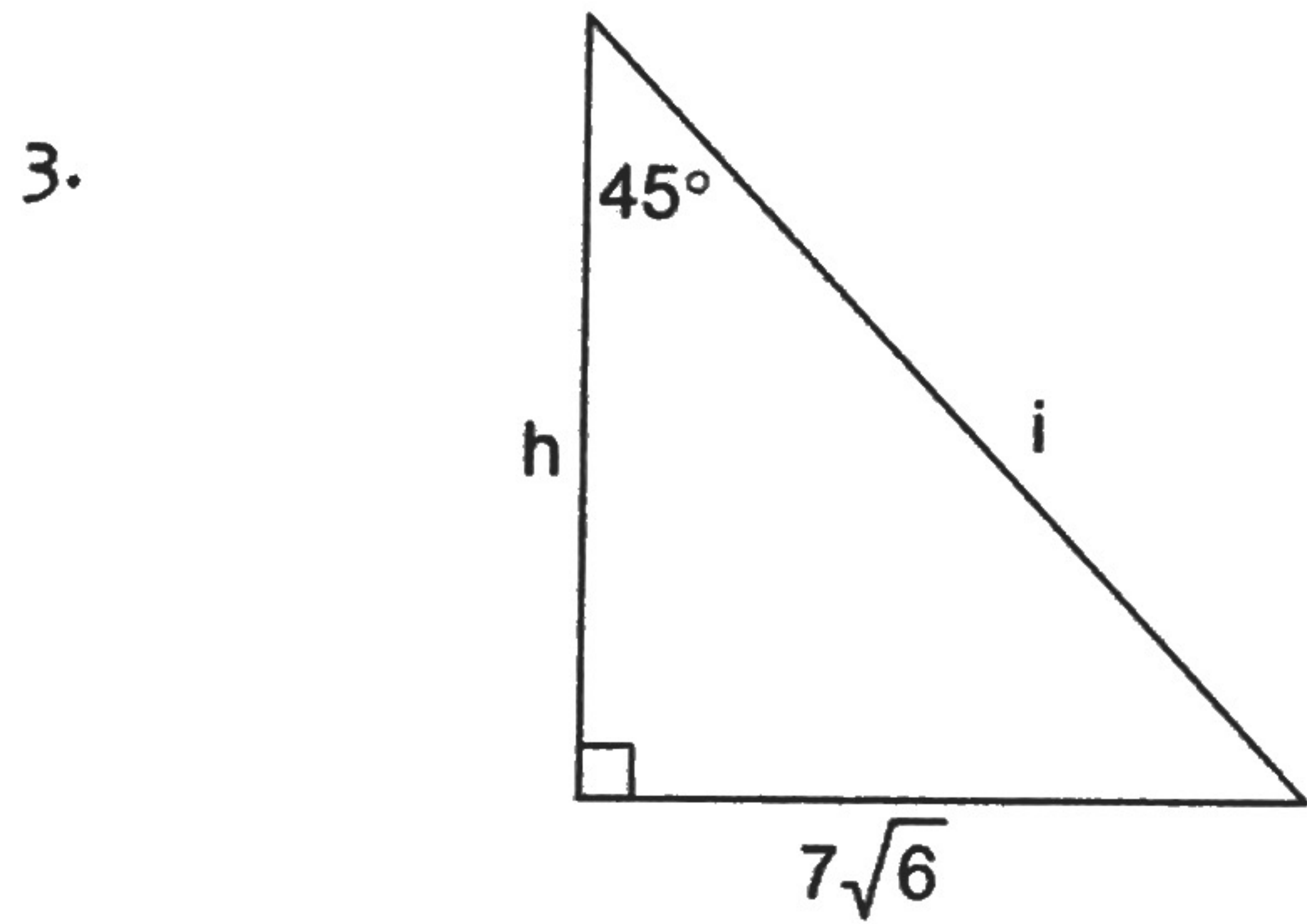
For 1-4, solve for the variable Leave ALL ANSWERS in **simplified, rationalized radical**.



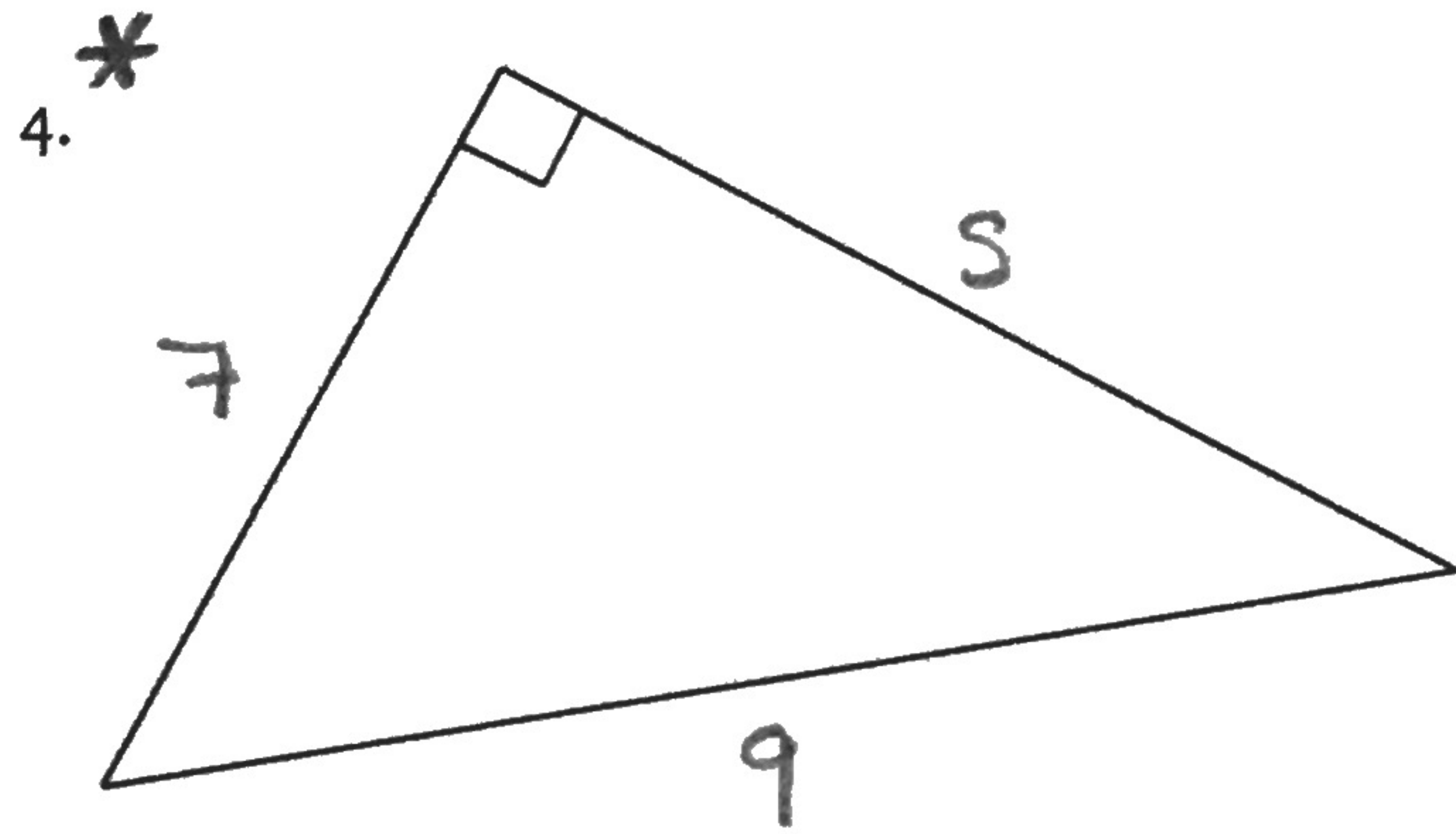
$m =$ _____



$a =$ _____ $t =$ _____



$h =$ _____ $i =$ _____



$s =$ _____

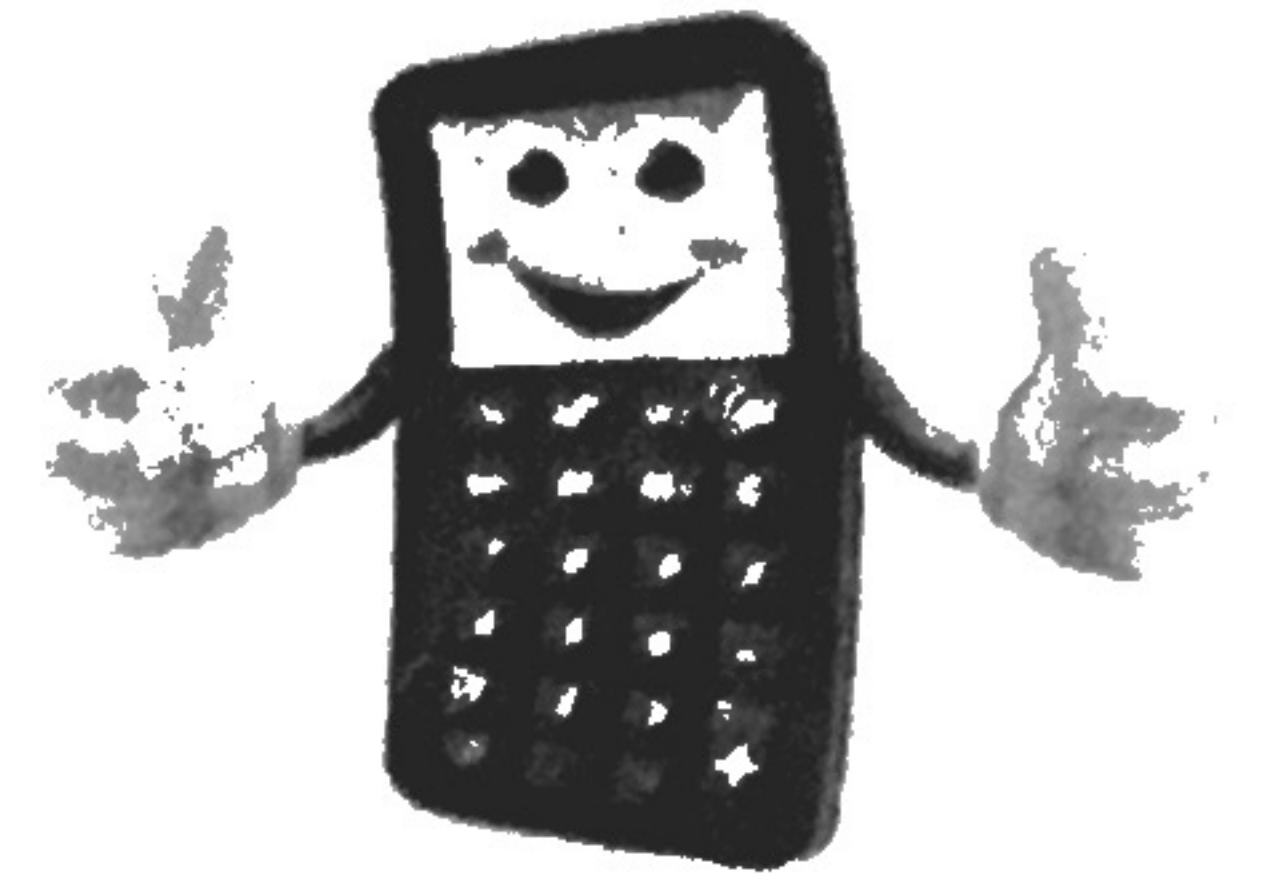
5. Show work to prove if a scalene triangle with sides 6, 7, 8 is acute, right, or obtuse.

6. YOU CHOOSE: Do either A or B. If you have extra time at the end, do both. If you get them both correct, you get +1.

A What is the length of a diagonal of a square with a perimeter of $32\sqrt{2}$?

*B. What is the perimeter of rectangle ABCD if ~~$m\angle ADC = 60^\circ$~~ and $AC = 6\sqrt{3}$?
 $m\angle ACD$

Draw and solve the right triangles. Round to 2 decimal places.



7. Right triangle CAT, with $m\angle C = 90^\circ$, $c = 16$ and $t = 9$

C = _____ c = _____

A = _____ a = _____

T = _____ t = _____

8. Right triangle DOG, with $m\angle D = 90^\circ$, with $o = 16$, and $m\angle O = 18^\circ$

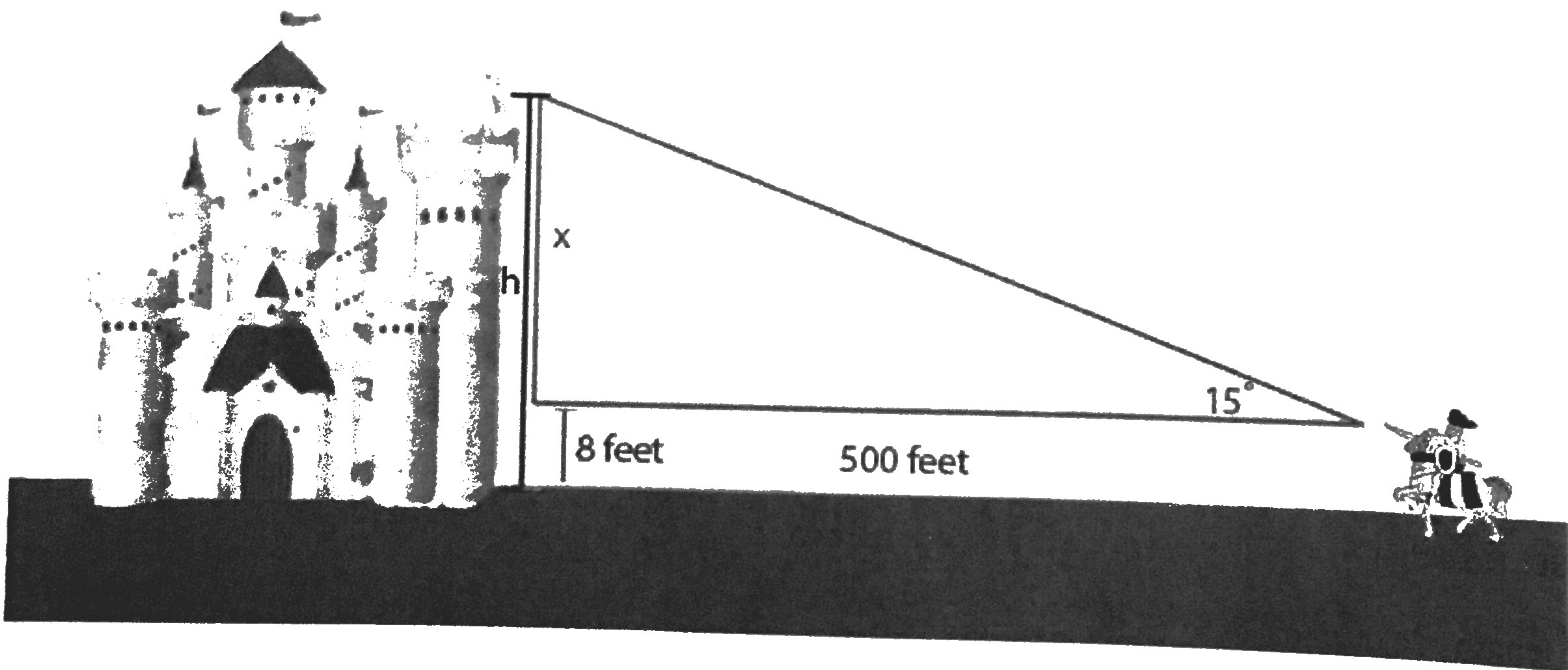
D = _____ d = _____

O = _____ o = _____

G = _____ g = _____

9. YOU CHOOSE: Do either A or B. If you have extra time at the end, do both. If you get them both correct, you get +1.

A. How high is the Fair Maiden, in the tower (h)?



B. A frog is sitting on a rock and spots a delicious bug crawling on the ground, 2 inches from base of the rock he's sitting on. He snaps out his tongue 6 inches and gets it! What was the angle of depression of his tongue?