

# 9A2 Evaluate Trig Ratios Practice

Kuta Software - Infinite Algebra 2

Name \_\_\_\_\_

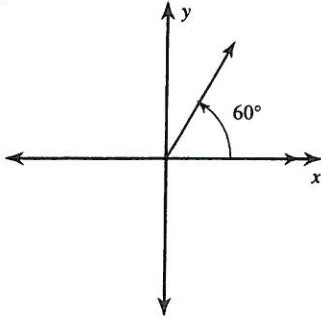
## Exact Trig Values of Special Angles

Date \_\_\_\_\_ Period \_\_\_\_\_

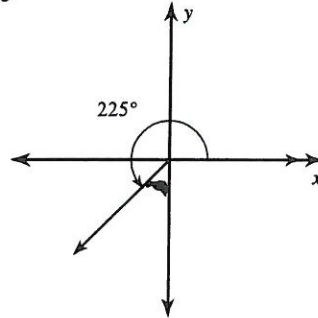
Find the exact value of each trigonometric function.

Find sin, cos and tan of each

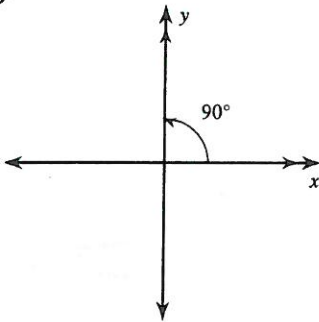
1)  $\tan \theta$



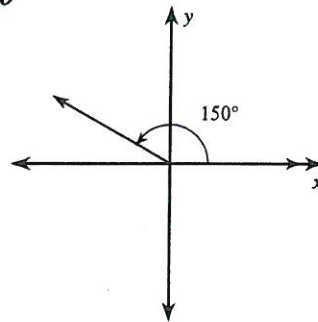
2)  $\sin \theta$



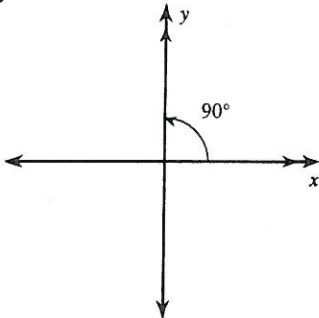
3)  $\sin \theta$



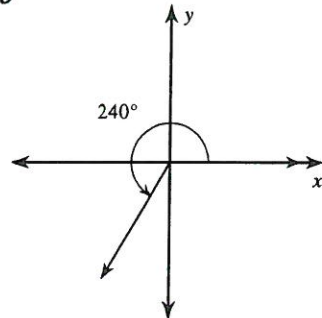
4)  $\cos \theta$



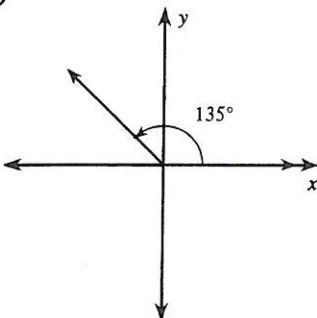
5)  $\cos \theta$



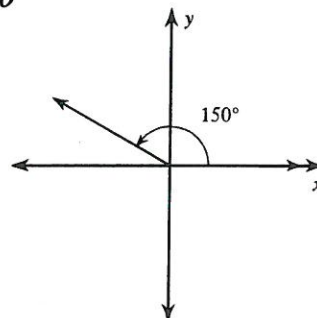
6)  $\tan \theta$



7)  $\cos \theta$

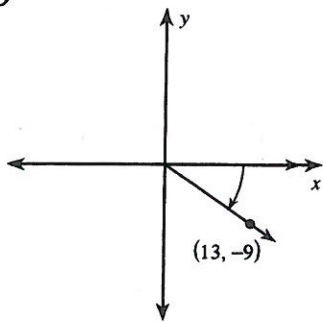


8)  $\tan \theta$

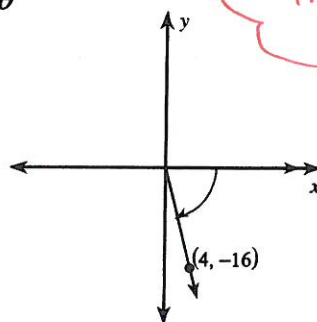


# General Angles

17)  $\sec \theta$

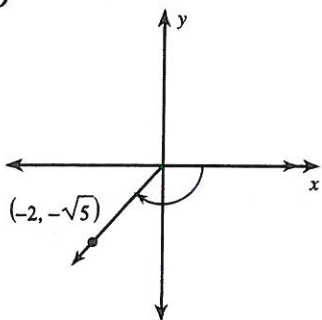


18)  $\sin \theta$

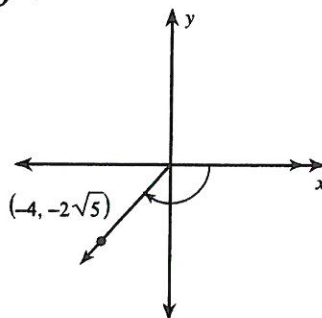


Find  $\sin$ ,  $\cos$  &  $\tan$  of each, then solve for  $0^\circ \leq \theta \leq 360^\circ$

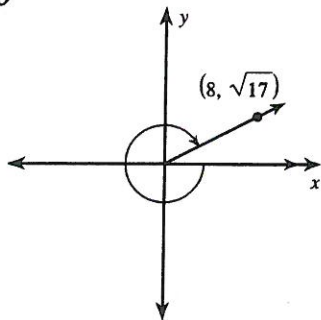
19)  $\cos \theta$



20)  $\sin \theta$



21)  $\cos \theta$



22)  $\cos \theta$

